

Nozzle Type Vacuum Sealers



Discover series Advanced Entry Level Nozzle Type Vacuum Sealer

DISCOVER series nozzle type vacuum sealer is a total solution for vacuum packaging applications. It can handle sealing, vacuum sealing (V models) and modified atmosphere packaging (VG models). The Discover series is easy to operate and practically maintenance free. It seals all popular moisture barrier bag materials and anti-static pouches from 20" to 30" wide.

Features:

- Compatible for clean room application
- High flow stainless steel retractable nozzle
- Clean, quiet, non-particle generating, 100% maintenance free air-driven vacuum ejector
- Low air consumption vacuum ejector
- Easy set-up requires only compressed air, standard electrical outlet and gas (for VG models)
- PLC Control & Touch Screen (HMI) system
- 10 programmable memory for vacuum time, gas time, heat time and cool time settings
- Password protection for setup page
- Packing counter for production monitoring
- Visible and audible alarm
- Vacuum gauge
- High Performance impulse sealing system
- Electronic foot pedal switch activated

Performance

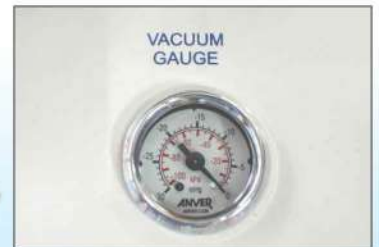
- NasaVAC vacuum sealers are engineered and designed using the highest quality components to give years of reliable operation and trouble-free performance.

Safety Features

- Built-in emergency stop push button
- Object / Finger anti-pinch safety system
- Low pressure seal jaw closing

Applications

- Moisture resistance sealing
- Extend storage period for packed goods
- Prevents electronic components, medical, pharmaceutical, hardware parts from rusting, oxidization and dampening
- Pouch Materials: HDPE, LDPE, Aluminum Foil, OPP, PET, Nylon and major sealable laminated films

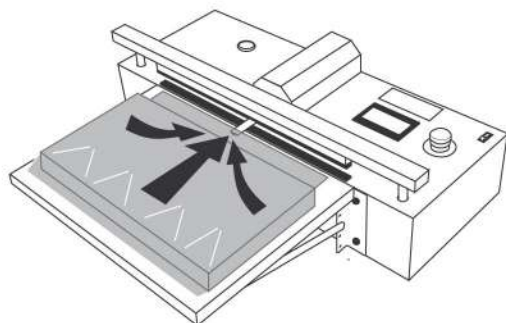


NASAVAC LLC
1150 SW Santa Fe Drive,
Lees Summit, MO 64081,
USA.

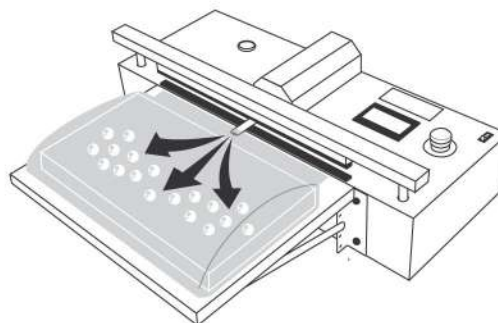
Tel +1-816-309-3134
Email info@nasavac.com
www.nasavac.com

Discover series

Advanced Entry Level Nozzle Type Vacuum Sealer



V Model (Vacuum)



VG Model (Vacuum & Gas Purging)

Specifications:

V Model (Vacuum Sealing Only)

- Multiple Operation Modes: 3 Selectable Modes
 - Automatic Timer Vacuum
 - Manual Vacuum
 - Seal Only



Model	V-200	V-250	V-300
Seal Size	(L) 20" x (W) 6mm	(L) 25" x (W) 6mm	(L) 30" x (W) 6mm
Machine Dimension	(L) 32" x (W) 13" x (H) 9"	(L) 37" x (W) 13" x (H) 9"	(L) 42" x (W) 13" x (H) 9"
Power	1Φ, AC 110V	1Φ, AC 110V	1Φ, AC 110V
Vacuum Flow	2.94 CFM	2.94 CFM	2.94 CFM
Maximum Vacuum	-26inHg	-26inHg	-26inHg
Air Requirement	5CFM @ 87PSI	5CFM @ 87PSI	5CFM @ 87PSI

VG Model (Vacuum & Gas Purging)

- Gas Inlet & Gas Pressure Regulator
- Multiple Operation Modes: 5 Selectable Modes
 - Vac - Gas - Seal
 - Gas - Vac - Seal
 - Vac - Gas - Vac - Gas - Seal
 - Gas - Vac - Gas - Vac - Seal
 - Seal Only



Model	VG-200	VG-250	VG-300
Seal Size	(L) 20" x (W) 6mm	(L) 25" x (W) 6mm	(L) 30" x (W) 6mm
Machine Dimension	(L) 32" x (W) 13" x (H) 9"	(L) 37" x (W) 13" x (H) 9"	(L) 42" x (W) 13" x (H) 9"
Power	1Φ, AC 110V	1Φ, AC 110V	1Φ, AC 110V
Vacuum Flow	2.94 CFM	2.94 CFM	2.94 CFM
Maximum Vacuum	-26inHg	-26inHg	-26inHg
Air Requirement	5CFM @ 87PSI	5CFM @ 87PSI	5CFM @ 87PSI

Optional Upgrade

- Stainless steel product support platform
- Vertical stand
- Full stainless steel chassis
- Other Sealing Width (8mm, & 10mm)
- AC 220V voltage conversion
- Vacuum filter
- Nozzle length extension



NASAVAC LLC
1150 SW Santa Fe Drive,
Lees Summit, MO 64081,
USA.

Tel +1-816-309-3134
Email info@nasavac.com
www.nasavac.com